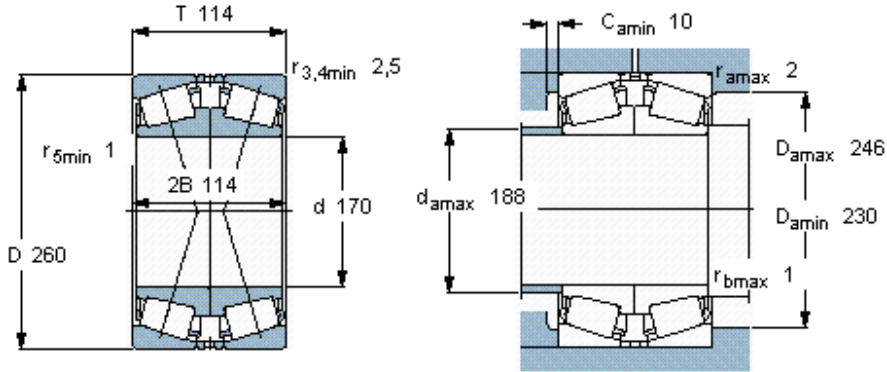


Tapered roller bearings, single row, paired face-to-face

Principal dimensions			Basic load ratings		Speed ratings		Designation
d	D	T	dynamic C	static C0	Reference speed	Limiting speed	
mm			kN		r/min		* SKF Explorer bearing
170	260	114	880	1830	1400	2200	- 32034 X/DF



Calculation factors

e 0,44
Y₁ 1,5
Y₂ 2,3
Y₀ 1,4